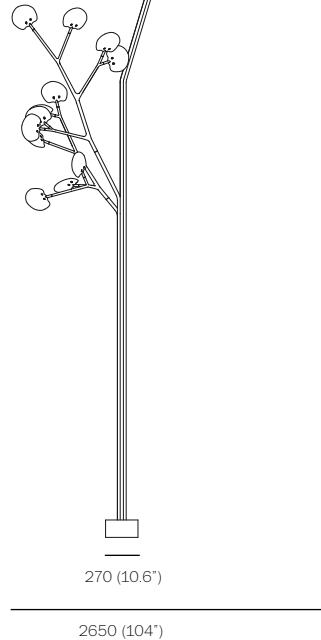


1220
(48')



7120
(280')



approx 284kg (626lb)

- PENDANTS: thirty-five
- MOUNTING: 250mm (10") diameter base plate
- LAMPING: 1.5w LED (52.5w total draw)
- DIMMING: not dimmable
- MATERIALS: poured glass, electrical components, bead blasted stainless steel armature components
- WEIGHT: approximately 284kg (626lb)
- DRIVERS: remote

DESCRIPTION

The 16.35 is a tree-like 16 installation using thirty-five pendants and a modular stainless steel armature system mounted to a seven tube stainless steel 'aspen' base. These trees are designed to be grouped into forest-like assemblies of a variety of different sizes and types, but are strong compositional elements on their own. Installation of these trees is complex and Bocci recommends a structural consultant to assess the viability of the system in the context in which it is to be installed. Installation requires anchoring into either an existing structural slab or a newly built foundation to meet the specifications of the design drawings, including appropriate drainage if exposed to water and remotely mounted LED drivers.

16 is formed by sequentially pouring three separate layers of coloured, molten glass – in varying opacities – on a horizontal plane. Each layer responds to the indeterminate shape of the previous pour to create a uniquely layered whole. Two of these pieces are then attached and illuminated with an internal LED lamp. The finished 16 is visually complex: each separate colour layer is visible through the other layers, with light reflecting along the edges.

All trees are rated for outdoor (or indoor) use based on structural analysis for moderately sheltered locations near seawater with minimal snow loads. Any other application restraints may need further engineering.

NOTES

- + Purchase replacement lamps online at www.bocci.com/shop/bulbs
- + Pendant comes in grey 1, grey 2, white 1, or white 2. Please specify when ordering.
- + Available in a wet location configuration.
- + Drivers must be mounted remotely in an easily accessible and hidden location for ease of long-term maintenance.

CAN 16234
US patent # D754,911
EU patent #002672774 - 0001 to 0012

Made in Vancouver, Canada
Vancouver Berlin
sales@bocci.com europe@bocci.com
www.bocci.com www.bocci.com



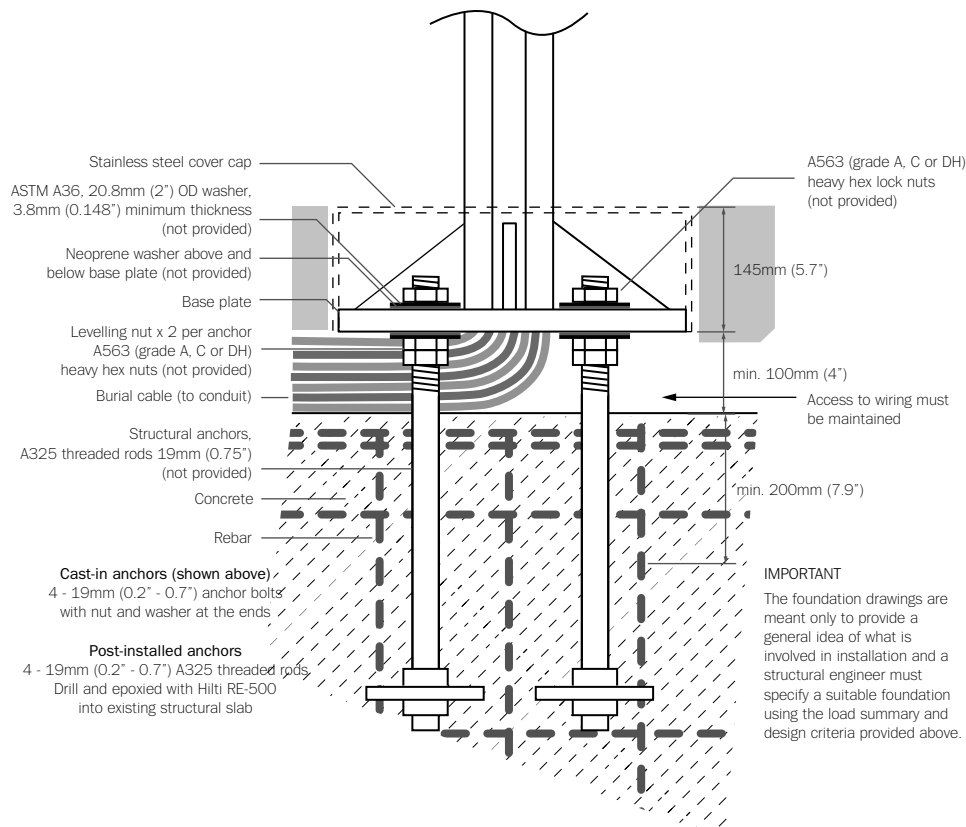
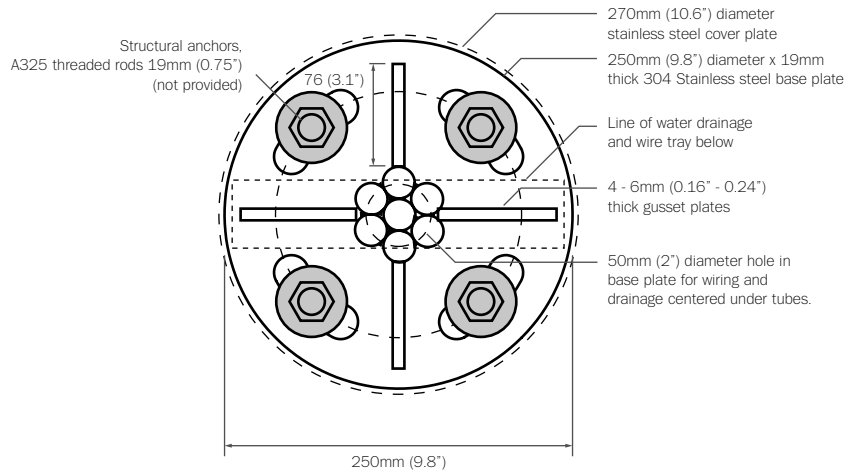
ASPEN

16.35

PRODUCT SPECIFICATION

© 2021, Bocci Design and Manufacturing Inc. All rights reserved. Any inquiries should be directed to: info@bocci.com

BOCCI



PENDANTS:	DL: 23N (5.3lbs)
MAX UNFACTORED WIND SPEED:	21 m/s
MAX UNFACTORED SNOW / ICE LOAD:	6 N /pendant
UNFACTORED SEISMIC LOAD:	1275N HORIZONTAL @ 4570mm ABOVE BASE CONNECTION
FACTORED DESIGN LOAD FOR BASE CONNECTION:	Mf: 6 kN*m Vf: 1 kN

LOAD SUMMARY & DESIGN CRITERIA

Installation of these trees is complex and Bocci recommends a structural consultant to assess the viability of the system in the context in which it is to be installed. Installation requires anchoring into either an existing structural slab or a newly built foundation to meet the specifications of the design drawings, including appropriate drainage if exposed to water and remotely mounted LED drivers.

Anchoring of these trees is critical and it is imperative that the assembly drawings are followed. The foundation and fixing of anchors to the foundation are the responsibility of the client. Drawings are provided only to give a general idea of what is involved in installation for early phase design development. The trees are designed for the load assumptions above and should not be installed in a location where any of those design forces will be surpassed. Neglecting the design forces may lead to failure of the structure. The design of a suitable foundation is to be provided by a structural engineer.

The modular trees will deflect under wind loading. All modular tree components should be kept at least 600mm (23.6") away from any other object to allow space for the tree to deflect without causing damage to other objects.

For our purposes, and due to specific site constraints that will guide the preparation of the site, the installation instructions begin with the anchors already installed.

MAINTENANCE

As with all outdoor fixtures, Bocci outdoor armature (tree) installations should be specified with the expectation that general maintenance will be required over the lifetime of the fixture. We recommend cleaning and maintaining the luminaries and armature regularly.

Stainless steel installed outdoors are subject to change and naturally mature and patina over time due to prolonged exposure to sunlight, pollutants and other environmental conditions. Bocci recommends that all armature installed in an outdoor setting be coated on site with a protective oil or paint finish to provide a barrier between the steel parts and any environmental elements that can cause surface corroding. The choice of an oil or paint finish will depend on the desired aesthetic and the severity of the environment and its effect on metal finishes. This coating will need to be maintained over the lifetime of the installation to protect against the natural corrosion of metal.

All Bocci armature fixtures are engineered for temperate climates and the level of maintenance will increase if the installation is located in a particularly extreme climate i.e. extreme temperatures, high humidity, high salinity, snow, sand storms, heavy rain, ice, etc.

Coastal environments: The environment of a sea coast can be extremely corrosive. Even with appropriate maintenance, products installed in a coastal environment will typically deteriorate more than products installed in a more moderate environment. Some surface corrosion and/or deterioration is considered normal wear in this environment. Thus, any claim for finish failures or for corrosion due to coastal environment conditions is no applicable to the product warranty.

ASPEN

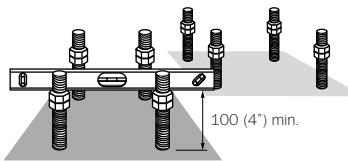
16.35

PRODUCT INSTALLATION INSTRUCTIONS

© 2021, Bocci Design and Manufacturing Inc. All rights reserved. Any inquiries should be directed to: info@bocci.com

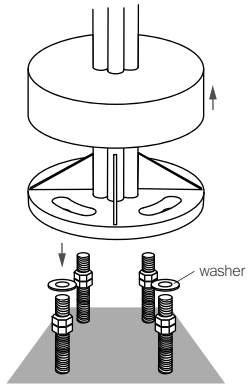
BOCCI

2021-09



1

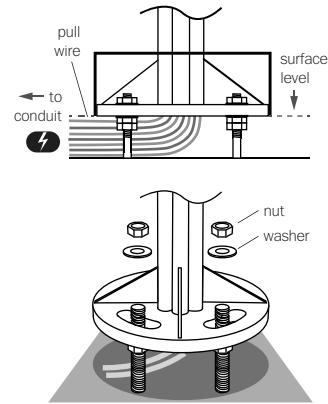
With the anchors in place, spin two of the provided nuts followed by a washer onto each anchor. Ensuring a minimum of 100mm (4') from top of leveling nuts to ground, use a level and level off 4 sets of nuts (hardware not provided).



2

Place washer on each anchor.
Lift off the cover.

Using heavy equipment (if necessary), lower the tree base onto the anchor keeping the pull wire free for the following steps. Repeat this step for all nearby trees.



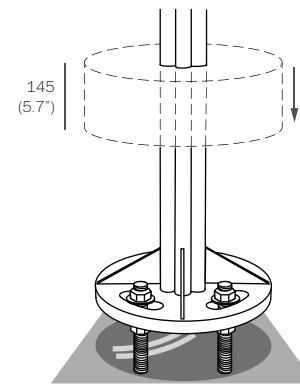
3

Orient the tree base in the direction you want the branches to go.

Once all tree bases are in place, put another washer on each anchor followed by a nut and tighten the nuts until snug.

Note: Make sure that the area under the base is kept clear and the pull wire does not get damaged during install.

Do not in-fill this area under the base. Wires must be kept free, even after final install.

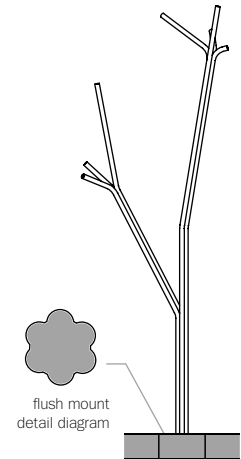


4

Once all wiring connections are complete, and the nuts are snug-tight, slide the cover cap down over the plate until it rests on either the gussets or the ground.

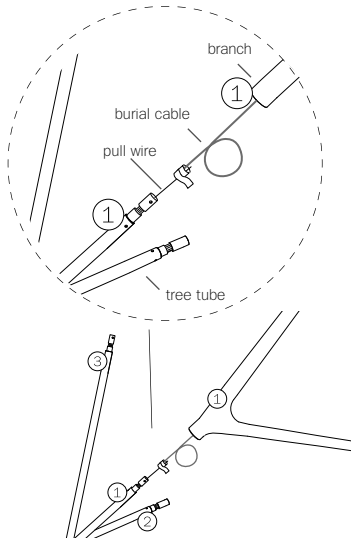
Note: Bocci recommends installing the finish floor height higher than the cover cap with a small reveal around the tree base or alternately installing flush with the cover plate.

Depending on the final installation aesthetic, you may want to finish the floor at this point if the finished floor can support a lift or scaffold for installation of the pendants. If not, complete steps 6-8 before finishing the mount detail.



5

You should now have an upright tree base ready for composition of the pendants according to the specification sheet.



6

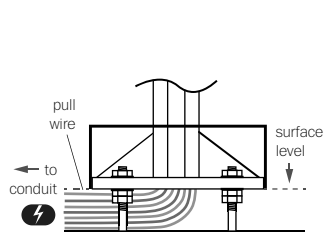
Matching the branch number with the tree tube number, secure the burial cable of each branch to the end of the pull wire with tape or other temporary means.

Ensure burial cable still fits freely through the tree tube.

Turn power to fixture on.

Note: Test each branch to ensure all LEDs light before attaching to tree.

Please check Exploded view instruction for assembly details.

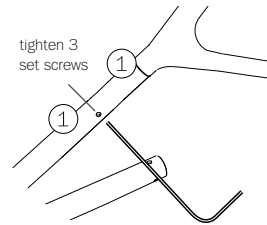
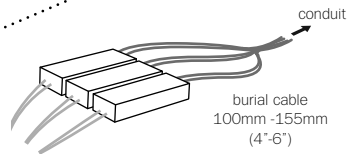


7

After each branch is installed, feed pull wire through pre-laid conduit to the driver (power supply) location.

Connect burial cables to drivers (power supplies), ensuring to leave 100-155mm (4"-6") of loose excess burial cable.

Check that each lamp is working properly as you go along.

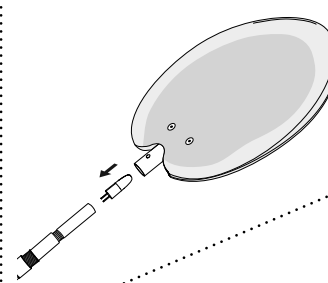
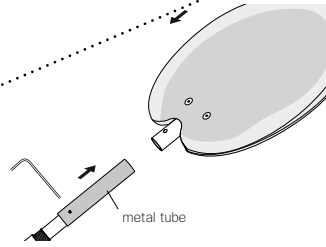


8

Orient branches as desired, ensuring there is no interference with adjacent branches, pendants or trees.

Tighten set screws to secure the branch.

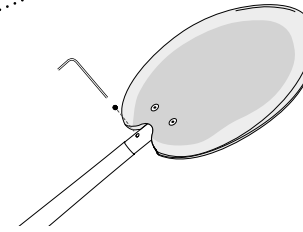
Remove the metal tube at the end of each branch by unscrewing the set screw.



9

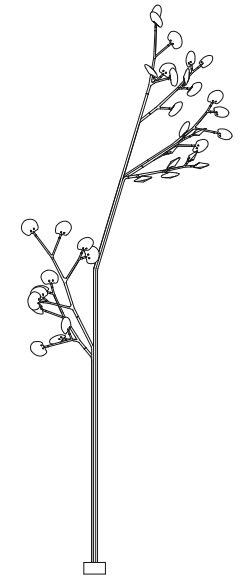
Plug the lamp into lamp socket. Ensure power to lamp is working correctly.

Slide the pendant onto the branch, orient as desired, and secure using an M4 set screw (provided).



10

Clean fingerprints from pendants.



For additional assistance, please contact Bocci:

Vancouver
sales@bocci.com
www.bocci.com

Berlin
europe@bocci.com
www.bocci.com

CAN 16234
US patent # D754,911
EU patent #002672774 - 0001 to 0012

Made in Vancouver, Canada



LOW VOLTAGE LUMINAIRE
E04386

ASPEN

16.35

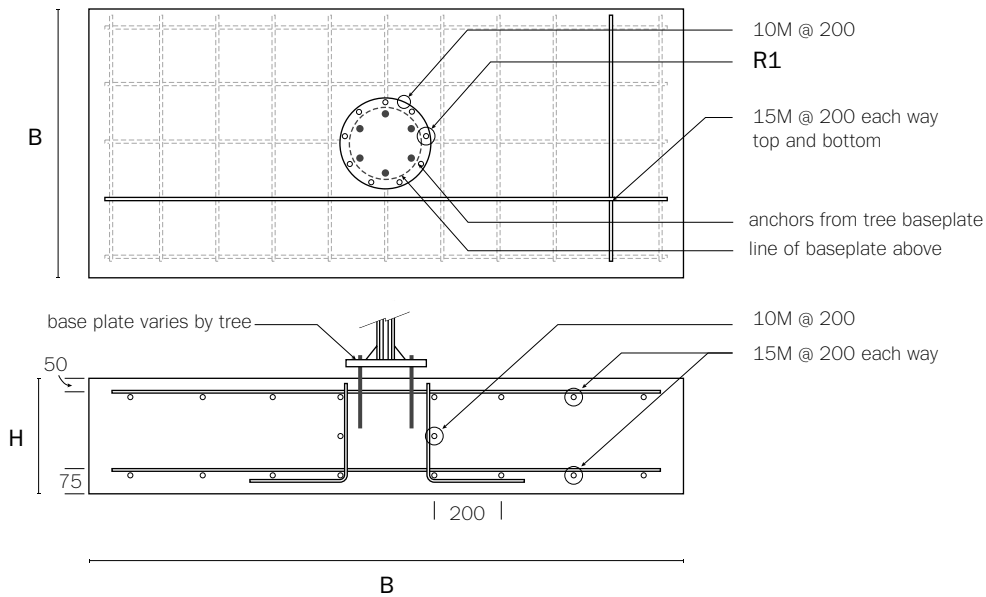
PRODUCT INSTALLATION INSTRUCTIONS

© 2021, Bocci Design and Manufacturing Inc. All rights reserved. Any inquiries should be directed to: info@bocci.com

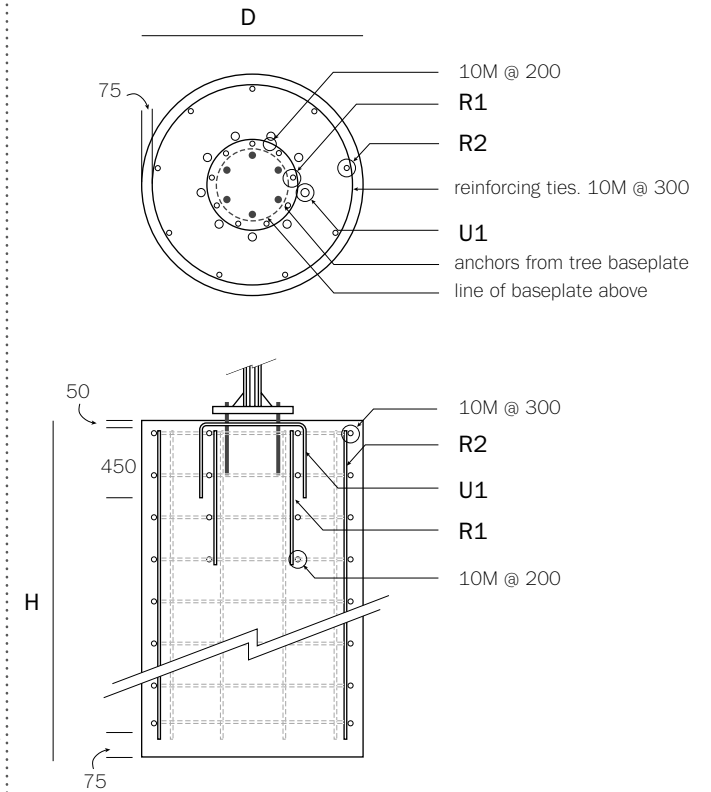
BOCCI

2021-07

SHALLOW FOUNDATION



DEEP FOUNDATION



TREE	FOUNDATION TYPE	D DIAMETER	B BOX	H HEIGHT	R1 REINFORCEMENT	R2 REINFORCEMENT	L DEPTH OF REINFORCEMENT	U1 REINFORCEMENT
XX.40 BIRCH XX.35 ASPEN XX.25 ELM XX.20 HAWTHORNE (7 TUBE BASES)	DEEP FOUNDATION	900	/	2000	8-20M	8-20M	500	2-15M
	SHALLOW FOUNDATION	/	1400	600	8-20M	/	/	/
XX.15 CYPRESS XX.10 OLIVE (3 TUBE BASES)	DEEP FOUNDATION	600	/	1830	6-15M	6-15M	300	2-15M
	SHALLOW FOUNDATION	/	1100	600	6-15M	/	/	/

XX - Includes 16, and 73 pendants

All lengths are in mm

NOTES

+ These are meant as a general guide only, and specific site and soil conditions can affect the specifications mentioned here. Seismic and structural engineers should use this foundation specification, combined with the factored design loads on individual tree specification sheets.

CAN 16234

US patent # D754,911

EU patent #002672774 - 0001 to 0012

Made in Vancouver, Canada



Tree Foundations

PRODUCT INSTALLATION INSTRUCTIONS

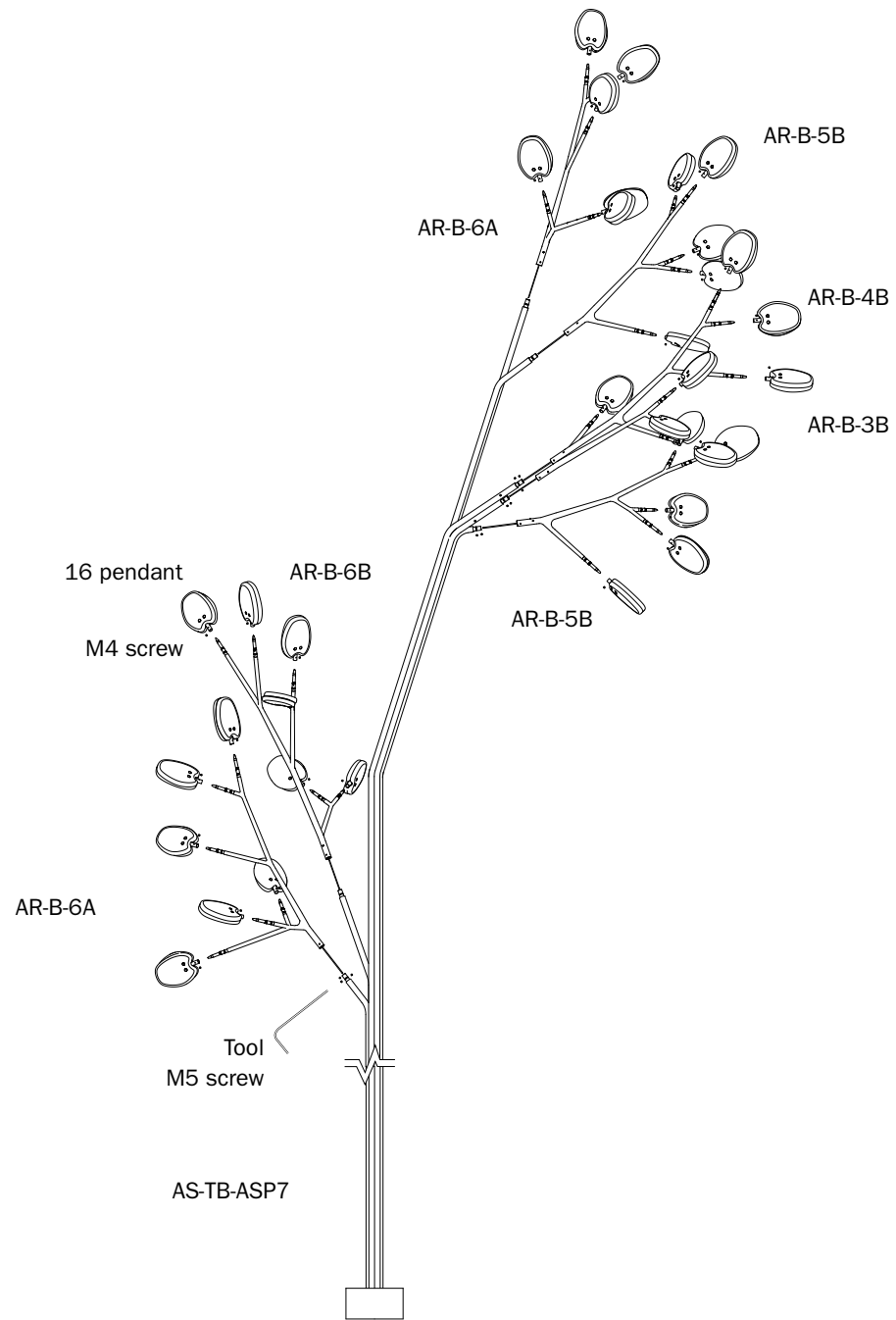
© 2021, Bocci Design and Manufacturing Inc. All rights reserved. Any inquiries should be directed to: info@bocci.com

BOCCI

2021-07

Exploded View

Parts	Qty
16 pendant	35
AS-TB-ASP7	1
AR-B-6A	2
AR-B-6B	1
AR-B-5B	1
AR-B-4B	1
AR-B-3B	1
M5	21
M4	35
Tool (M4/M5)	1



ASPEN

16.35

PRODUCT INSTALLATION INSTRUCTIONS

© 2021, Bocci Design and Manufacturing Inc. All rights reserved. Any inquiries should be directed to: info@bocci.com

BOCCI