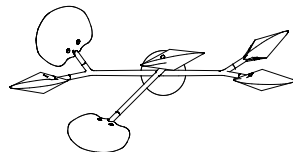


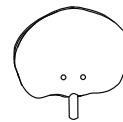
728
(28.7')

800 (31.5')
with 500
(19.7')
extender
Maximum
2500 (98')
drop



1035 (40.7')

525
(20.7')



216
(8.5')



64
(2.5')

203 (8')

approx 17.6kg (38.7lb)

- PENDANTS: six
- MOUNTING: black powder coated stainless steel canopy 160mm (6.3') in diameter x 40mm (1.6') deep
- LAMPING: 1.5w LED (9w total draw)
- EXTENDER: available in 150mm (5.9'), 250mm (9.8') / 500mm (19.7') / 1200mm (47.2') / 750mm (29.5) (attached with 2 pendants). Up to 2.5m (98') drop.
- MATERIALS: pour glass, black powder coated stainless steel armature, electrical components, black powder coated canopy
- WEIGHT: approximately 17.6kg (38.7lb)
- POWER SUPPLIES: Integral

DESCRIPTION

A steel armature system in a black powder coated finish allows pre-composed branches to be easily connected to a series of hubs during installation.

16 is formed by sequentially pouring three separate layers of molten glass – in varying opacities – on a horizontal plane. Each layer responds to the indeterminate shape of the previous pour to create a uniquely layered whole. Two of these pieces are then attached and illuminated with an internal LED lamp.

16 pendant is available in grey 1, grey 2, white 1, or white 2.

NOTES

- + Purchase replacement lamps online at www.bocci.com/shop/bulbs
- + Power supplies can be mounted remotely in an easily accessible and hidden location for ease of long-term maintenance.
- + **The fixture can be leveled with aircraft cable and swag hooks (provided).**
- + **The fixture is not designed for standard ceiling octagonal junction box. DO NOT install fixture directly to the junction box.**
- + To maintain your fixture, please regularly dust with a lint-free cloth. If further cleaning is required, dampen a lint-free cloth with water only and wipe gently to remove dust or debris.

US patent # 16234
US patent # D754,911
EU patent #002672774 - 0001 to 0012

Made in Vancouver, Canada

Vancouver
sales@bocci.com
www.bocci.com

Berlin
europe@bocci.com
www.bocci.com

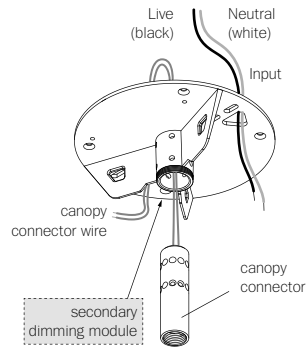
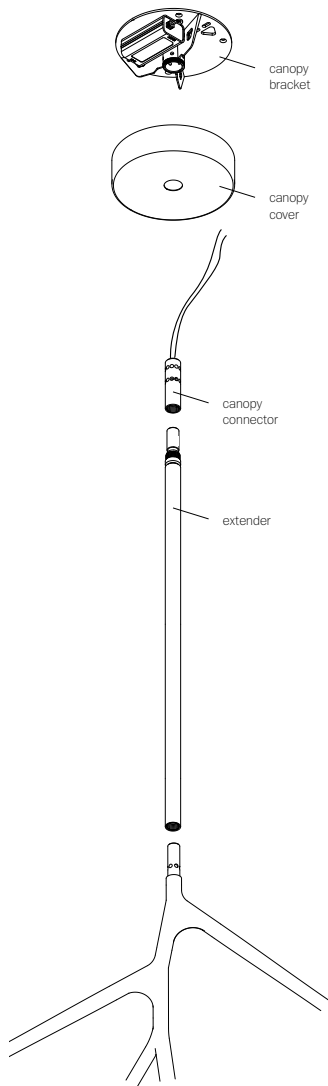
ARMATURE

16.6a.1

PRODUCT SPECIFICATION

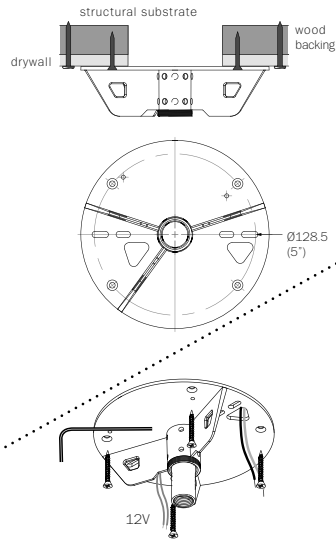
© 2021, Bocci Design and Manufacturing Inc. All rights reserved. Any inquiries should be directed to: info@bocci.com

BOCCI



1

Feed the canopy connector wires through the slots on the canopy bracket. Attach canopy connector to the canopy bracket with a single screw, just to hold it in place.



2

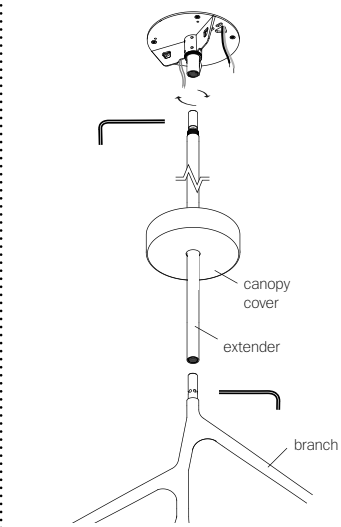
Measure and mark fixture location on the ceiling. Ensure the ceiling in this location has adequate structural support for the canopy bracket. Wood backing at least 3/4" (19mm) thick is recommended.

Feed the Live and Neutral wires through slots on the canopy bracket.

Anchor the canopy bracket to the wood/support structure and ensure that the bracket fasteners (provided) are engaged.

Note: If you are using different screws please make sure they are able to support 36kg/80lb in traction and are engaged to at least 25mm (1") in the substrate.

Junction box screw holes on the canopy bracket are for attachment NOT for support.



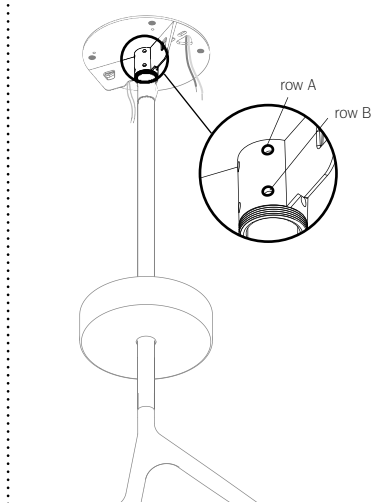
3

Thread the branch to the extender and secure with set screw (provided).

Do not remove protective material before completion.

Note: If the system does not require an extender, then thread the branch onto the canopy connector and secure with set screw.

Pass the canopy cover through the extender (or the branch if no extender is used).



4

Check the orientation of the fixture.

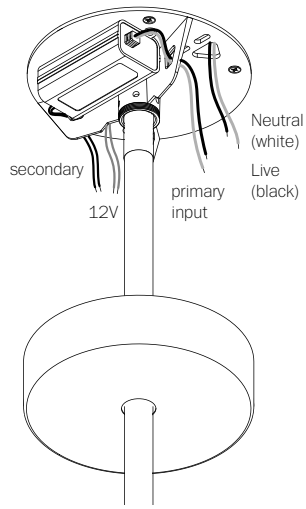
Please reference the drawing on the first page of this document for a visual guide.

Loosen the screw on the canopy connector and rotate to the desired position.

There are two rows of screws around the circumference of the bracket (5 screws in each row).

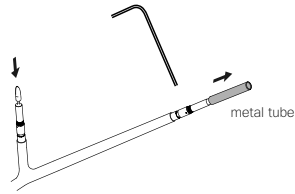
i. Tighten row A (refer to picture). These must be tightened evenly so that all set screws are equally engaged. Tightening one side more than another will lead to an off center result.

ii. Tighten row B in the same manner (refer to picture).



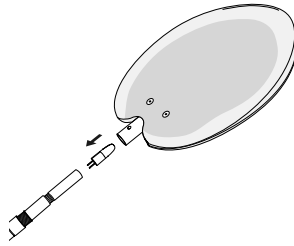
5

- i. Attach the driver to the canopy bracket.
- ii. Feed the AC input and DC output wires through the openings on the canopy bracket.
- iii. Connect the positive and negative wires from the canopy connector to the low voltage secondary driver wires.
- iv. Connect supply wires to primary input wires of driver. Ensure 'Live' & 'Neutral' wires are respected. (Ensure that line voltage is not active during this part of the installation).
- v. Thread the canopy cover onto the canopy bracket and turn power to fixture on.



6

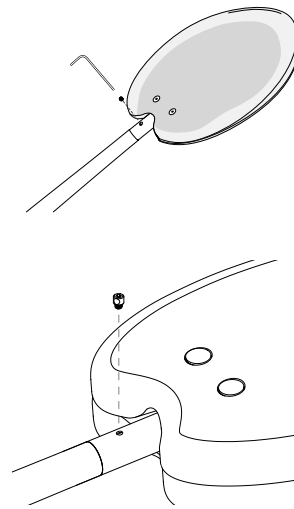
Remove the metal tubes at the end of each branch by unscrewing the set screw.



7

Insert provided LED into socket. Check that each lamp is working properly as you go along by keeping the power on.

Insert pendant holder onto socket and secure with set screws (provided).



8

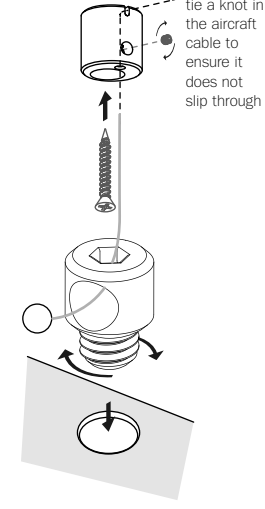
Insert pendant and secure with set screw.

Be sure to carefully place the pendant so as not to damage the LED during installation.

Note: If the fixture sags or seems unbalanced use swag hooks to add additional support.

IMPORTANT: For installations with drywall ceilings, it's recommended to back the ceiling with 5/8" plywood to anchor the supplied swag hooks if needed. Without backing, swag hooks will need to be set into a stud or other structural substrates.

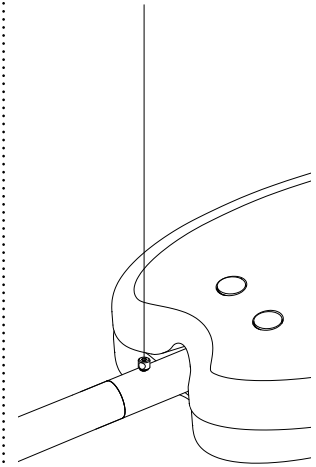
Locate the pendant you want to swag and replace one of the set screw on the pendant holder with the swag set screw provided. Position the pendant holder with the set screw facing upwards.



9

Thread the ball end of the aircraft through the set screw. The ball end of the aircraft should sit nicely inside the set screw.

Locate a swag hook directly above the set screw. Using the screws provided, fasten it into the ceiling. Pass the aircraft cable through the small hole on the bottom of the swag hook and thread it through until it emerges from the top parallel to the ceiling. Pull until tight, and tighten set screw on side.



10

Once all swag hooks are installed, adjust the swag hook lengths, if necessary.

Trim excess aircraft cable and clean fingerprints from surfaces.

For additional assistance, please contact Bocci:

Vancouver
sales@bocci.com
www.bocci.com

Berlin
europe@bocci.com
www.bocci.com

US patent # 16234
US patent # D754,911
EU patent #002672774 - 0001 to 0012

Made in Vancouver, Canada

ARMATURE

16.6a.1

PRODUCT INSTALLATION INSTRUCTIONS

© 2021, Bocci Design and Manufacturing Inc. All rights reserved. Any inquiries should be directed to: info@bocci.com

BOCCI