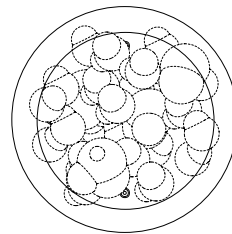


±100-165 (4-6')



53
(2')

adjustable
up to 3000
(10')
standard

adjustable
up to 30500
(100')
custom

470
(18.5')

600
(23.6')

approx 47kg (103lb)

PENDANTS: twenty-six

MOUNTING: white powder coated round canopy 600mm (23.6") in diameter x 53mm (2") deep

LAMPING: 1.5w LED

COAX: fixed lengths. 3000mm (10') standard / up to 30500mm (100') maximum

MATERIALS: blown and dipped glass, cast borosilicate glass cap, braided metal coaxial cable, electrical components, white powder coated canopy

WEIGHT: approximately 47kg (103lb)

POWER SUPPLIES: integral

DESCRIPTION

57.26 is a random configuration of twenty-six 57 pendants hung from a round canopy. The drop lengths of the pendants are randomized between a client specified range of heights to variously cluster and scatter. The result is an ambient installation or field of light.

57 is an exploration of a technique used for producing closed cell foam. The process involves trapping voids of air of different sizes and configurations within a glass matrix, yielding a shape loosely referencing a rain cloud. These pockets of air remain invisible when the piece is off, but come alive to reveal an interior universe when the piece is illuminated. By virtue of the fabrication process, each piece is completely unique.

NOTES

- + Purchase replacement lamps online at www.bocci.com/shop/bulbs
- + As an alternative to a built-in power supply, Bocci recommends mounting power supplies remotely in an easily accessible and hidden location for ease of long-term maintenance.

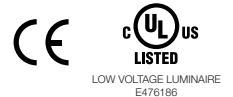
US Patent # D796732

EU Design Patent # 002268581-0001 to 0006

Made in Vancouver, Canada

Vancouver
sales@bocci.com
www.bocci.com

Berlin
europe@bocci.com
www.bocci.com



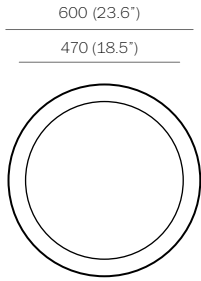
ROUND

57.26

PRODUCT SPECIFICATION

© 2021, Bocci Design and Manufacturing Inc. All rights reserved. Any inquiries should be directed to: info@bocci.com

BOCCI

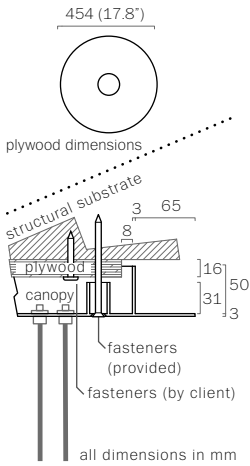


1

Note: All connections and power supplies are tested by our technicians before shipping. However, it is possible for ports/ power supplies to come loose/ damage during shipping.

Test each port before installing canopy to ceiling to catch any loose connections or faulty power supplies.

Measure and mark the light fixture canopy position on the ceiling



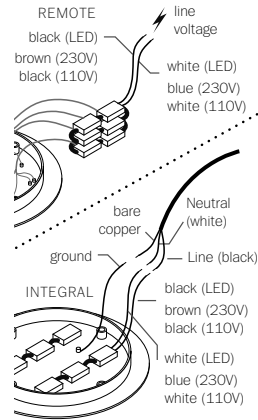
2

Note: The client is responsible for providing a robust 16mm (5/8") plywood backing or wood blocking to securely anchor to the structural substrate.

Connections from the plywood to the structural substrate are the client's responsibility.

Measure the plywood so that it fits within the canopy side walls (refer to detail above).

Anchor the plywood backing to the structural ceiling substrate.



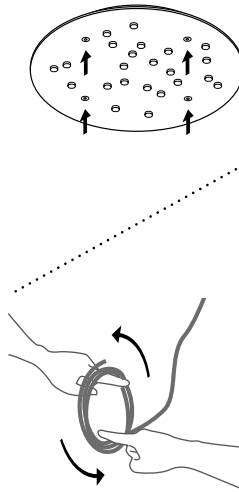
3

Connect power supplies to line voltage.

LED: connect the black wire to black and white wire to white wire.

For the ground connection, connect the green wire with yellow stripe to the bare copper wire or green wire to bare copper wire.

Note: Bocci strongly recommends mounting power supplies remotely in a close, accessible and hidden location for ease of long term maintenance. Installation to be done by certified personnel to ensure compliance with the code.



4

Anchor canopy into the plywood backing using the fasteners provided.

Turn power to fixture on.

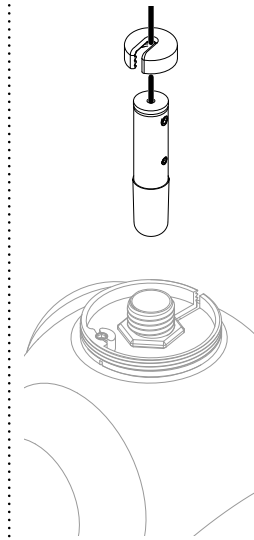
Very carefully uncoil the braided coaxial cable in a spool like manner. Insert your index fingers into opposite sides of the roll then rotate your fingers around each other to unroll the coaxial cable.

Use patience: allow the cable to uncoil completely to avoid kinks.



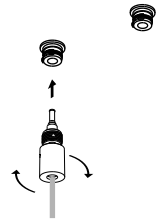
5

Attach lamp to the lamp holder.



6

Slide the brass cap onto the coaxial cable.



7

Each pendant terminates in a "headphone jack" type connector, which plugs into a receiving receptacle in the canopy. Clients are encouraged to compose their own pendant configuration on site, thus creating a truly unique fixture. After plugging in each pendant, turn the threaded sheath into place by hand ensuring that it is adequately tightened. Tools are not required.

Check that each lamp is working properly as you go along by keeping power to the fixture on and lamps plugged in.

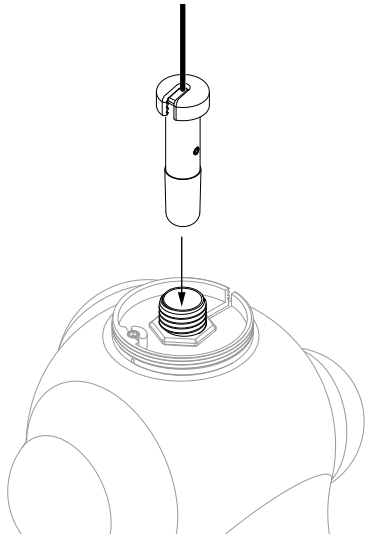
ROUND

57.26

PRODUCT INSTALLATION INSTRUCTIONS

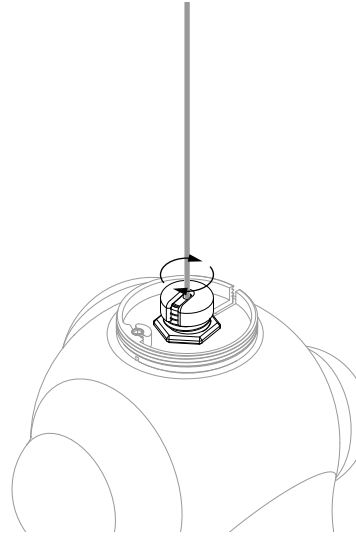
© 2021, Bocci Design and Manufacturing Inc. All rights reserved. Any inquiries should be directed to: info@bocci.com

BOCCI



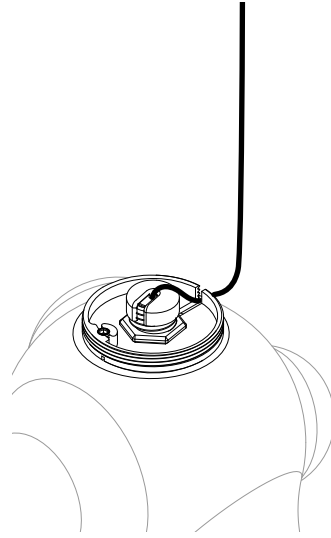
8

Insert the lamp assembly into the glass pendant.



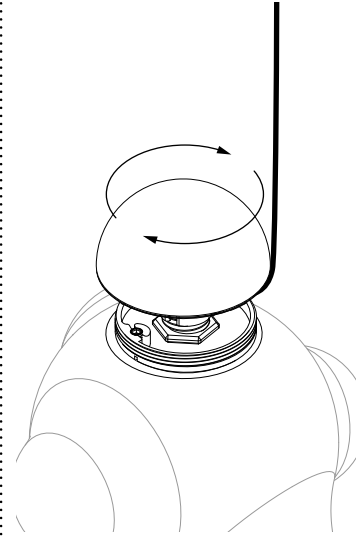
9

Thread the brass cap onto the pendant.



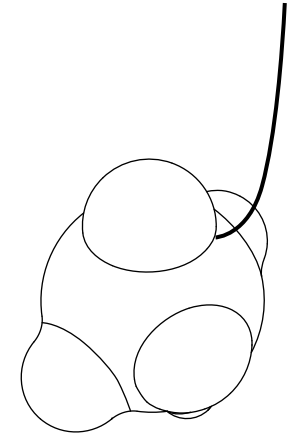
10

Slide the coax cable through the slot on the pendant holder



11

Thread glass cap onto the pendant, ensuring that the coax remains seated in the slot.



12

Clean fingerprints from surfaces.

For additional assistance,
please contact Bocci:

Vancouver
sales@bocci.com
www.bocci.com

Berlin
europe@bocci.com
www.bocci.com

US Patent # D796732
EU Design Patent # 002268581-0001 to
0006

Made in Vancouver, Canada



LOW VOLTAGE LUMINAIRE
E476186

ROUND

57.26

PRODUCT INSTALLATION INSTRUCTIONS

© 2022, Bocci Design and Manufacturing Inc. All rights reserved. Any inquiries should be directed to: info@bocci.com

BOCCI