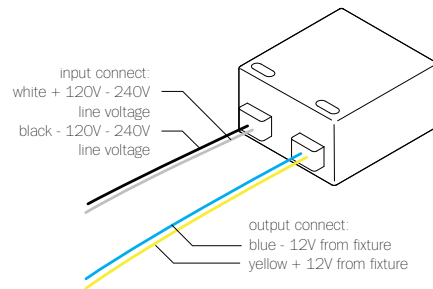


120/240V LED Driver - 4W



WH-L03U-12V

PRIMARY: AC 100 - 240V, 120mA, 50/60Hz

SECONDARY: Max. 12V DC (4.2w max.)

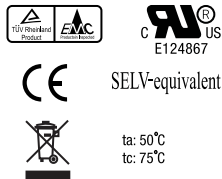
LAMPING: 1w LED lamps: 1-3
1.5w LED lamps: 1-2
2.3w ring LED lamps: 1

DIMMING: Non-dimmable

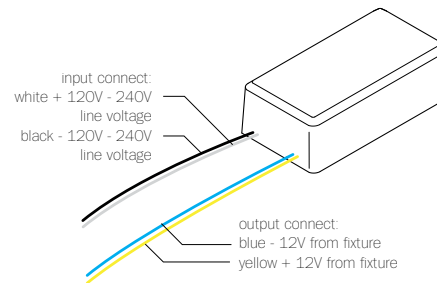
NOTES: Constant voltage
Class 2 power unit
For LED lamps only

DIMENSION: 43mm (1.7") x 41mm (1.6") x 22mm (0.8")

DESIGNATION:



120/240V LED Driver - 8W



WH-L07U-12V

PRIMARY: AC 100 - 240V, 170mA, 50/60Hz

SECONDARY: Max. 12V DC (8.4w max.)

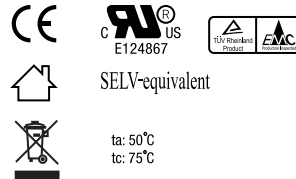
LAMPING: 1w LED lamps: 1-7
1.5w LED lamps: 1-5
2.3w ring LED lamps: 1-3

DIMMING: Non-dimmable

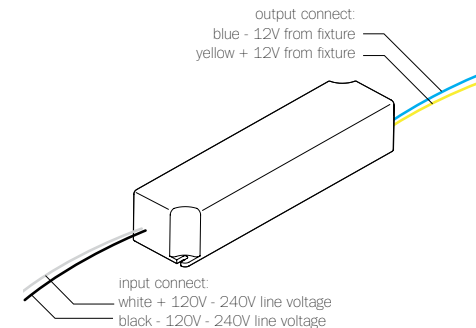
NOTES: Constant voltage
Class 2 power unit
For LED lamps only

DIMENSION: 65mm (2.5") x 35mm (1.3") x 28mm (1.1")

DESIGNATION:



120/240V LED Driver - 24W



WH-L24U-12V

PRIMARY: AC 100 - 240V, 300mA, 60Hz

SECONDARY: Max. 12V DC (24w max.)

LAMPING: 1w LED lamps: 1-24
1.5w LED lamps: 1-16
2.3w ring LED lamps: 1-10

DIMMING: Dimmable using minimum 12w and improves with larger load. Use low voltage electronic dimmers only

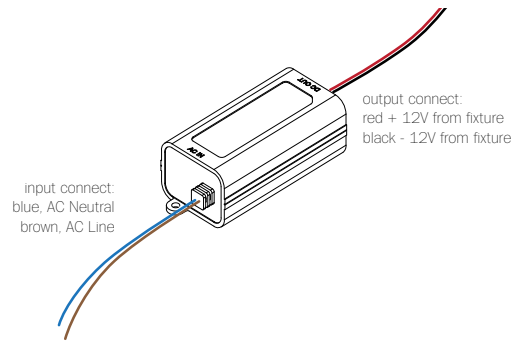
NOTES: Short Circuit Protection
Constant voltage
Class 2 power unit
For LED lamps only

DIMENSION: 42mm (1.7") x 170mm (6.7") x 33mm (1.3")

DESIGNATION:



120/240V LED Driver - 8W



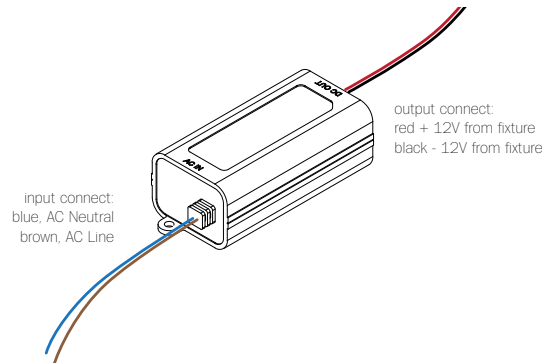
MW-APV-8-12V

PRIMARY: AC 100 - 240V, 300mA, 50/60Hz
 SECONDARY: Max. 12V DC (8w max.)
 LAMPING: 1w LED lamps: 1-8
 1.5w LED lamps: 1-5
 DIMMING: **dimnable with dimming module**
 DIMMING TYPE: - 10K/N~100K/N Ohms resistance
 - 1~10V DC Voltage
 - 10V PWM Signal
 NOTES: Constant voltage
 Class 2 power unit
 For LED lamps only
 DIMENSION: 30mm (1.2") x 73mm (2.9") x 24mm (0.9")

DESIGNATION: IS 15885(Par 12/Sec13)



120/240V LED Driver - 16W



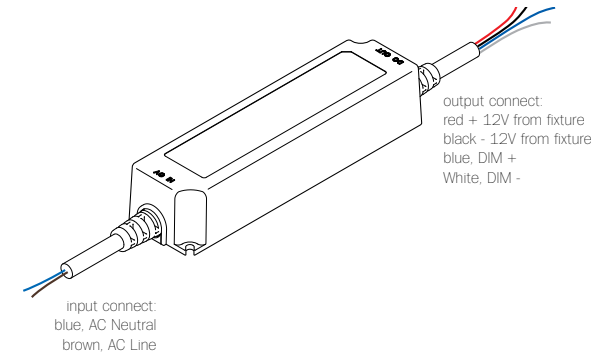
MW-APV-16-12V

PRIMARY: AC 100 - 240V, 500mA, 50/60Hz
 SECONDARY: Max. 12V DC (16w max.)
 LAMPING: 1w LED lamps: 1-16
 1.5w LED lamps: 1-10
 2.3w ring LED lamps: 1-6
 DIMMING: **dimnable with dimming module**
 DIMMING TYPE: - 10K/N~100K/N Ohms resistance
 - 1~10V DC Voltage
 - 10V PWM Signal
 NOTES: Constant voltage
 Class 2 power unit
 For LED lamps only
 DIMENSION: 40mm (1.6") x 90mm (3.5") x 29mm (1.1")

DESIGNATION: IS 15885(Par 12/Sec13)



120/240V LED Driver - 60W



MW-LPF-60D-12

PRIMARY: AC 100 - 240V, 800mA, 50/60Hz
 AC 277V, 320mA, 50/60Hz
 SECONDARY: Max. 12V DC (60w max.)
 LAMPING: 1w LED lamps: 1-60
 1.5w LED lamps: 1-40
 2.3w ring LED lamps: 1-26
 DIMMING: 1-10V dimming
 Recommended minimum 10w
 DIMMING TYPE: - 10K/N~100K/N Ohms resistance
 - 1~10V DC Voltage
 - 10V PWM Signal
 NOTES: Short Circuit Protection
 Constant voltage
 Class 2 power unit
 For LED lamps only
 DIMENSION: 43mm (1.7") x 163mm (6.4") x 32mm (1.3")

DESIGNATION:

