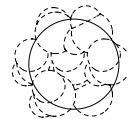


adjustable
up to 3000
(10')
standard

adjustable
up to 30500
(100')
custom

±100-165 (4-6")



203 (8")

PENDANTS: seven
 MOUNTING: white canopy 203mm (8") in diameter x 32mm (1.3") deep
 LAMPING: 1.5w LED
 COAX: adjustable. 3000mm (10') standard / up to 30500mm (100') maximum
 MATERIALS: blown and dipped glass, cast borosilicate glass cap, braided metal coaxial cable, electrical components, white canopy
 WEIGHT: approximately 11kg (24lb)
 POWER SUPPLIES: integral

DESCRIPTION

57.7 is a random configuration of seven 57 pendants hung from a round canopy. The pendants are designed to hang in a random configuration at times clustering and grouping together and others trailing off. The result is an ambient installation or field of light. The pendant drop lengths on this fixture are adjustable up to the specified maximum.

57 is an exploration of a technique used for producing closed cell foam. The process involves trapping voids of air of different sizes and configurations within a glass matrix, yielding a shape loosely referencing a rain cloud. These pockets of air remain invisible when the piece is off, but come alive to reveal an interior universe when the piece is illuminated. By virtue of the fabrication process, each piece is completely unique.

NOTES

- + Purchase replacement lamps online at www.bocci.com/shop/bulbs
- + As an alternative to a built-in power supply, Bocci recommends mounting power supplies remotely in an easily accessible and hidden location for ease of long-term maintenance.

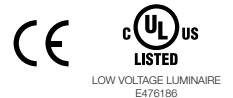
US Patent # D796732
 EU Design Patent # 002268581-0001 to 0006

Made in Vancouver, Canada

Vancouver
sales@bocci.com
www.bocci.com

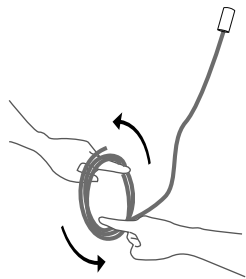
Berlin
europe@bocci.com
www.bocci.com

approx 11kg (24lb)



57.7

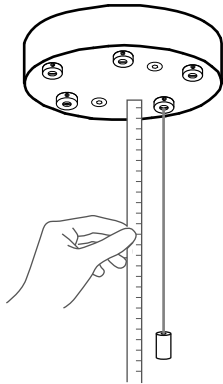
PRODUCT SPECIFICATION



1

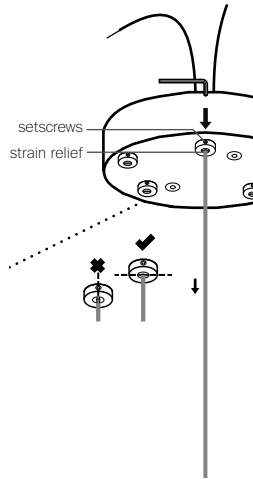
Very carefully uncoil the braided coaxial cable in a spool like manner. Insert your index fingers into opposite sides of the roll then rotate your fingers around each other to unroll the coaxial cable.

Use patience: allow the cable to uncoil completely to avoid kinks.



2

Determine the overall drop for the pendant fixture.



3

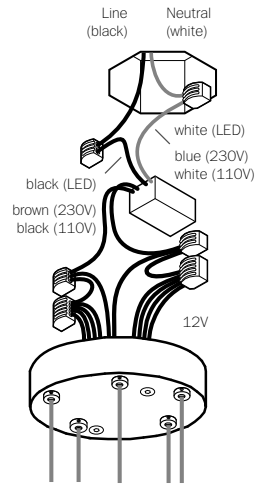
Thread the coaxial cables through the canopy, use a 2mm Allen key to loosen the setscrew in the canopy and gently feed the cable through until you have reached your desired drop length.

Use Allen key to tighten the setscrew to hold the strain relief and secure the coaxial cable at its new length. Perform a gentle tug test to ensure it is secure.

DO NOT OVERTIGHTEN.

Note: The strain relief is a black plastic collar around the coaxial cable. There is a single slot opening on the side of the strain relief component. It is essential that this opening is oriented at 90 degrees to set screw chamber. There can be no contact between the set screw and the cable.

RISK OF ELECTRIC SHORT!



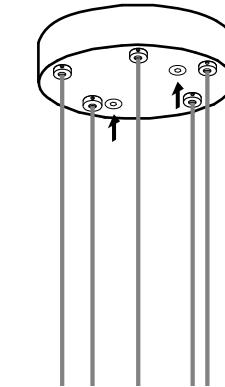
4

LED: connect the black wire to black and white wire to white wire.

Connect the coaxial cable to the open slots in the terminal block on the 12V side of the power supplies.

Ensure that the braided outer wires are all connected to one 12V output wire and all inner insulated wires are connected to the other or a short will occur.

Once all coaxial connections are made, lift the fixture into position and connect the line voltage to the open slot in the appropriate terminal block.



5

The client is responsible to ensure fasteners are attached to a robust structural substrate.

Tuck the power supply and wiring into the canopy. Line up the fastener holes or connect directly to structural ceiling surface using the fasteners provided.

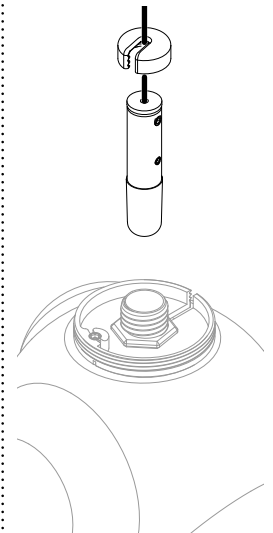
Turn power to fixture on.



6

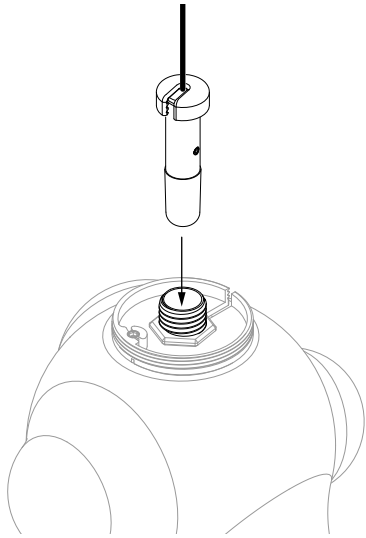
Attach lamp to the lamp holder.

Ensure power to lamp is working correctly.



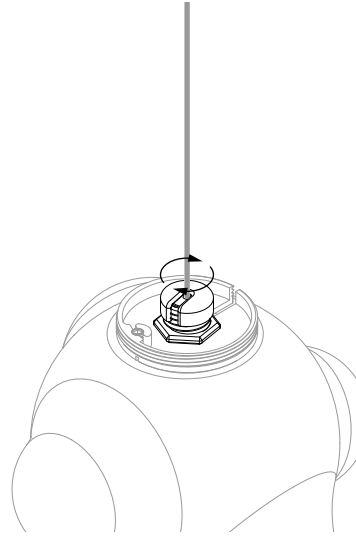
7

Slide the brass cap onto the coaxial cable.



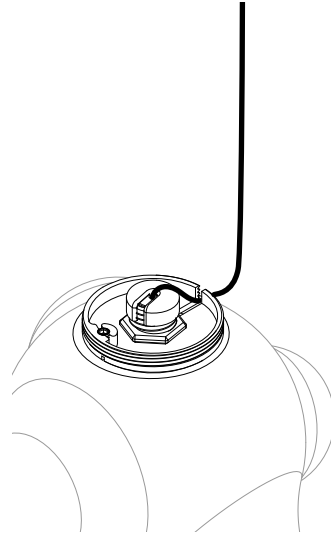
8

Insert the lamp assembly into the glass pendant.



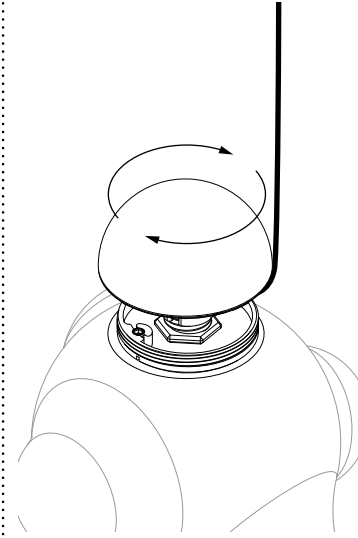
9

Thread the brass cap onto the pendant.



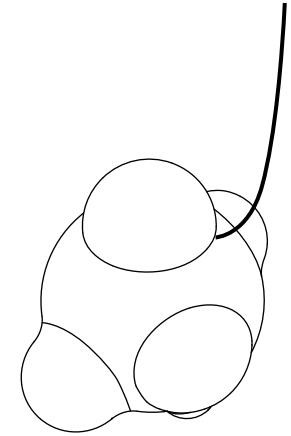
10

Slide the coax cable through the slot on the pendant holder



11

Thread glass cap onto the pendant, ensuring that the coax remains seated in the slot.



12

Clean fingerprints from surfaces.

For additional assistance,
please contact Bocci:

Vancouver
sales@bocci.com
www.bocci.com

Berlin
europe@bocci.com
www.bocci.com

US Patent # D796732
EU Design Patent # 002268581-0001 to
0006

Made in Vancouver, Canada



LOW VOLTAGE LUMINAIRE
E476186