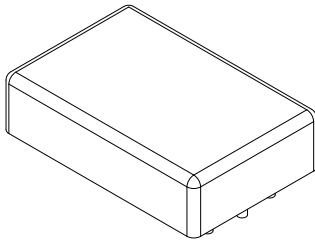


0-10V Dimming Module



SLD-DIM1B

POWER 120
 INPUT 8 to 30V DC
 VOLTAGE
 CURRENT 5000mA max.
 DIMMING: 0-10V DC
 DIMMING TYPE: - 10K/N~100K/N Ohms resistance
 - 1~10V DC Voltage
 - 10V PWM Signal
 NOTES: IP 65
 DIMENSION: 37mm (1.5") x 56mm (2.2") x 15mm (0.6")

DESIGNATION:

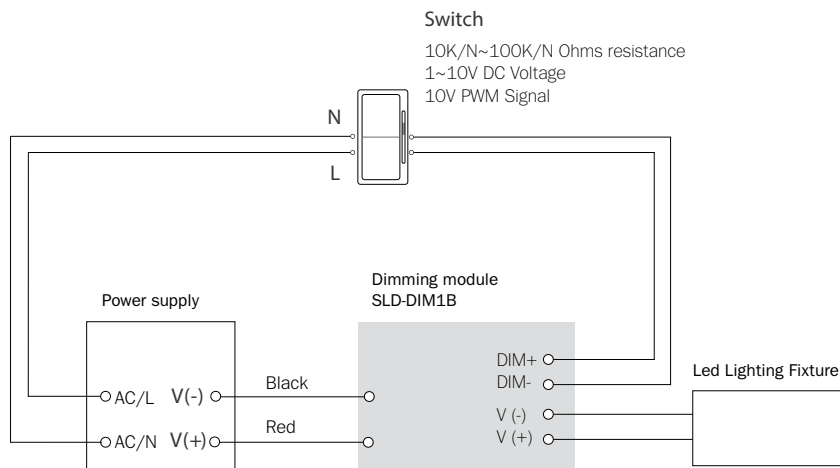


INPUT WIRE

RED DC + Input
 BLACK DC - Input
 PURPLE to 1-10V
 GREY to 1-10V

OUTPUT WIRE

YELLOW Dim Output +
 BLACK Dim Output -



DIMMING MODULE

Drivers

PRODUCT SPECIFICATION

For additional assistance, please contact Bocci:

Vancouver
 sales@bocci.com
 www.bocci.com

Berlin
 europe@bocci.com
 www.bocci.com

© 2020, Bocci Design and Manufacturing Inc. All rights reserved. Any inquiries should be directed to: info@bocci.com

BOCCI